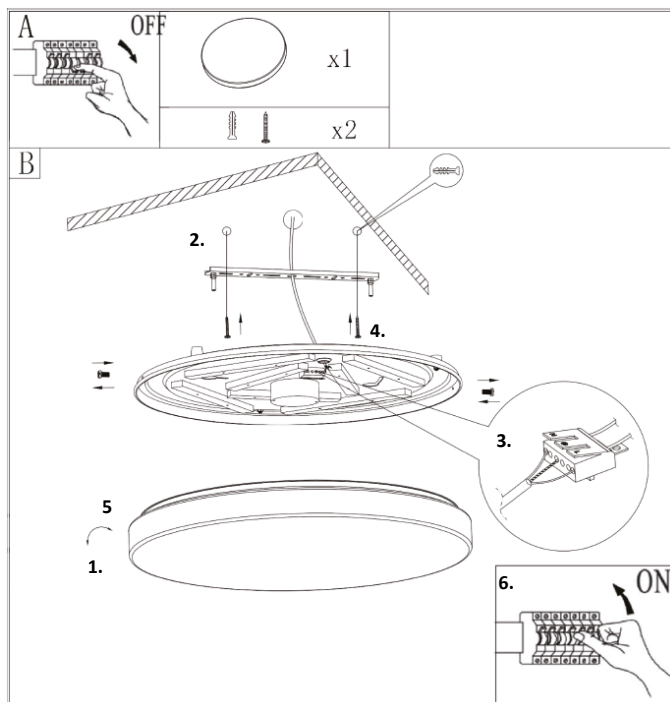


EN Installation instructions

Thank you for purchasing our product. Please read this manual carefully and heed the safety warnings and instructions before installing, using or repairing the equipment. This will ensure not only the protection of persons, but also the long life of the equipment.

Mark	Operating voltage	Consumption for 4000 K	Consumption for 3000K and 6000K	Beam angle	Coverage	Dimensions
WO798	AC 220-240 V	36 W	25 W	120°	IP20	∅300x70mm
WO799		50 W	35 W			∅400x70mm



WARNING

1. Installation may only be carried out by a qualified worker with a qualification according to Decree No. 50/1978 Coll., as amended, at least a knowledgeable worker according to § 5 of Decree No. 50/1978 Coll., as amended.
2. Do not cover the luminaire with anything or hang anything on it
3. Do not repair or modify the equipment in any way.

INSTALLATION

Switch off the power supply before installation!

1. Remove the front cover by turning it
2. Pre-drill holes in the wall and insert dowels into them
3. Push the supply cable through the hole in the luminaire cover and connect it to the terminal block
4. Drill the luminaire into the wall
5. Attach the front cover
6. Switch on the power supply

The light source of this luminaire is non-replaceable, at the end of its service life the entire luminaire must be replaced and disposed of in a designated place. This product contains a light source that for design reasons cannot be removed for verification and therefore the entire product is considered a light source. The power cord cannot be replaced if damaged, the unit must no longer be used.

CE IP20 